

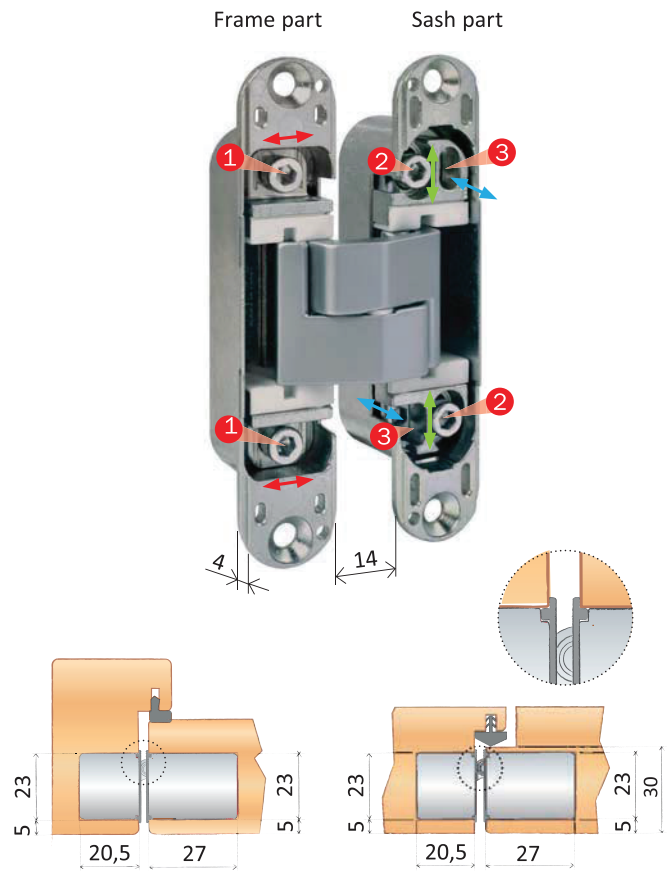
Hinges

AGB Hinges

Fortress Land Door Hardware

AGB Eclipse 3.0 Concealed Hinges

For flush doors with or without rebate and for aluminium doors



- Suitable for both wooden and aluminium frames and doors, thanks to the 4mm thickness of the hinge fastening.
- Completely invisible thanks to reduced dimensions.
- Easy installation: sash and frame parts can be installed separately during production and joined on-site.
- Covers with coverplate.
- Three adjustments completely independent using a unique 4mm allen key:
 - 1 pressure adjustment $\pm 1\text{mm}$
 - 2 vertical adjustment $\pm 2\text{mm}$
 - 3 horizontal adjustment $\pm 1.5\text{mm}$



Matt Chromium



Black

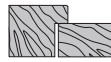


White RAL 9010



Enamelled Brass
Plated

Eclipse 3.0 - Adjustable Concealed Hinge for Flush Doors (Material ZAMAK)



Description

Reversible concealed hinge with a frame part reduced to 20.5mm. Eclipse 3.0 is adjustable on 3 axis and allows a 180° opening. It is suitable for flush doors, with and without rebate and aluminium doors.

Capacity

40kg with 2 hinges, 60kg with 3 hinges.

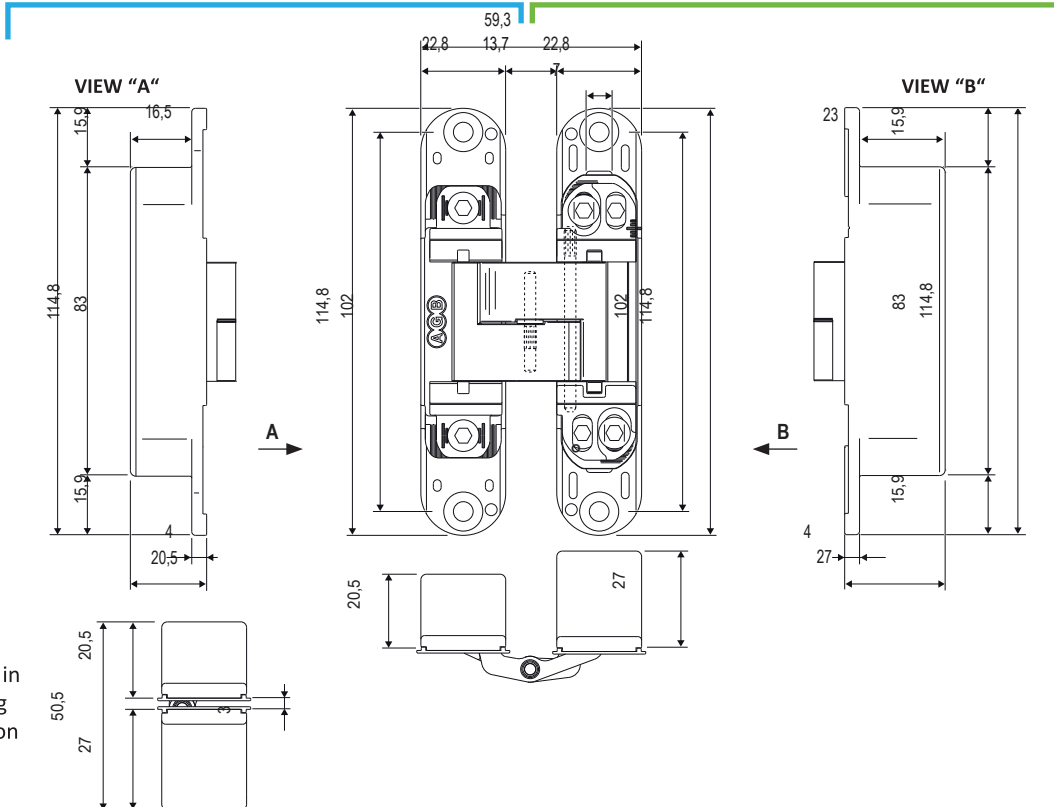
Fastening

Mill frame and sash parts as you can see in the drawing and fasten hinge with specific screws.

- Frame part: $\varnothing 4.5 \times 35\text{mm}$,
- Frame part with telescopic cover plate: $\varnothing 4.5 \times 20\text{mm}$
- Sash part: $\varnothing 4.5 \times 35\text{mm}$ (or higher length)

FRAME PART

SASH PART



Eclipse 3.0		
Model	Finish	Item Code
Eclipse 3.0	Enamelled Brass Plated	E30200.02.03
Eclipse 3.0	Matt Chromium Plated	E30200.02.34
Eclipse 3.0	Black	E30200.02.93
Eclipse 3.0	White RAL 9010	E30200.02.91

One item is 1pc of hinge only.
Please order the cover separately.



Covers Kit for Eclipse 3.0

Covers Kit for Eclipse 3.0		
Model	Finish	Item Code
Eclipse 3.0 Cover	Enamelled Brass Plated	E30200.12.03
Eclipse 3.0 Cover	Matt Chromium Plated	E30200.12.34
Eclipse 3.0 Cover	Black	E30200.12.93
Eclipse 3.0 Cover	White RAL 9010	E30200.12.91

One item is for a set of cover for 1 Eclipse Hinge.
Please check with our sales team for other available finish

Adjustable Butt Hinge for Flush Fire Doors - AGB-R120



Description

Adjustable \varnothing 20mm Hinge, for flush doors, with overlapped simmetrical leaves. Stainless steel body pin, with rotating ball on top for a better rotation of the hinge. Designed for 4.5mm gap between sash and frame, when the leaves are housed in the milling.

Just use 2 pieces of hinge to hold up to 120kg door. No more worry about un-alignment of the hinges due to adjustable function. R120 Hinges ensures the smooth operation of the doors with fast and easy installation.

Vertical adjustment: 6mm vertical adjustment with 5mm Allen wrench by operating the screw on the base of the hinge body.

Mounting

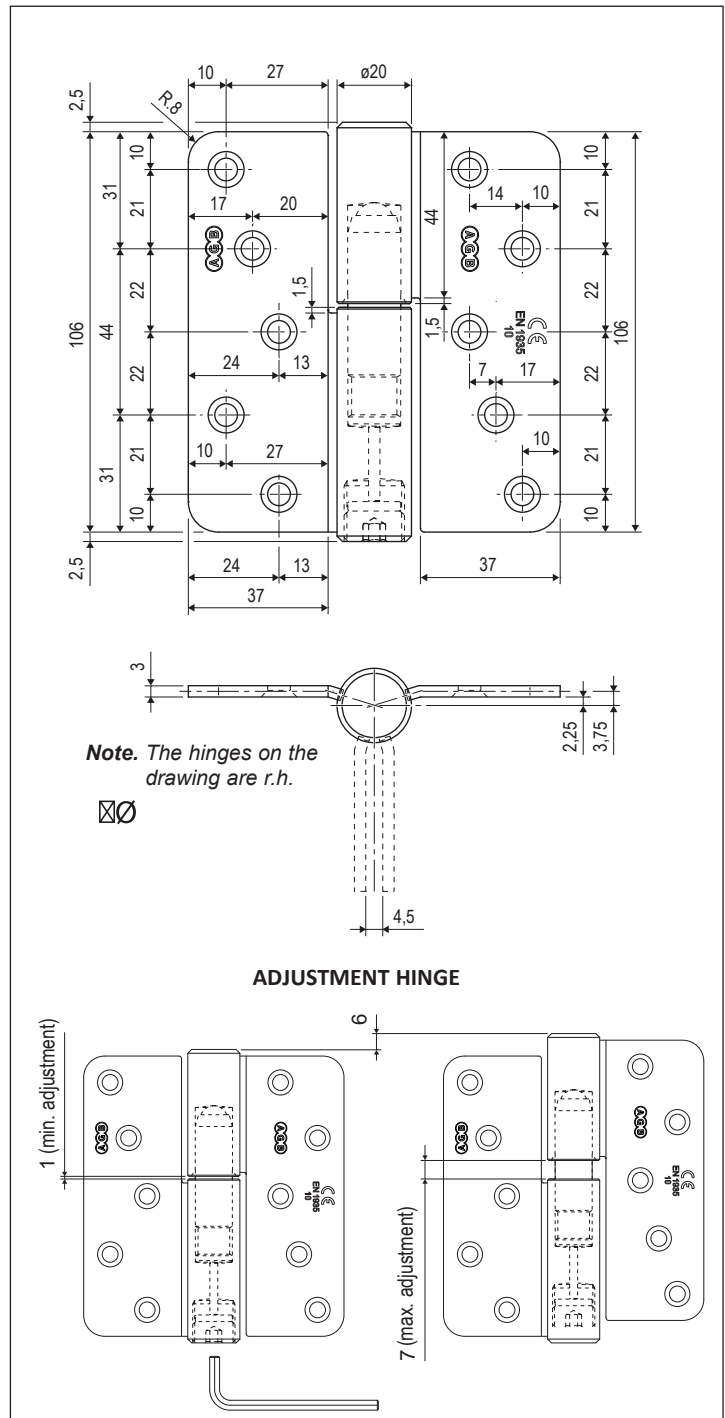
Mount the leaves housing on the milling and fix with \varnothing 4.5mm screws, at least 40mm long, according to the requirements

NB.

Screws are not included

Technical

Door up to 120Kg with 2 pieces of hinge.



R120 Hinges - Fire Rated Hinges						
Model	Material	X	Height	Finish	Handing	Item Code
R120	Steel	37	111	Enamelled Brass Plated	RH	E10093.20.03
R120	Steel	37	111	Enamelled Brass Plated	LH	E10094.20.03
R120	Steel	37	111	Matt Chromium Plated	RH	E10093.20.34
R120	Steel	37	111	Matt Chromium Plated	LH	E10094.20.34

One item is only 1 pc of Hinge.

KOBLENZ Concealed Hinges

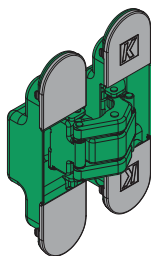
Krona Koblenz is a leading Company in Europe in the manufacturing of concealed hinges. The Koblenz production is the result of a long planning and verification through which it has developed a wide catalogue in order to satisfy every kind of customer's requirement.

Kronz Koblenz's aim has always been to guarantee the absolute quality of technology and materials, the perfect functionality of every single system and its complete reliability with the time.

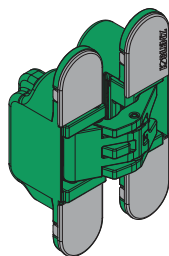


As a confirmation of the quality of every single project, Konlenz has covered most part of his products with an international patent protected by an international copyright. International accepted Certification are also covered for related products.

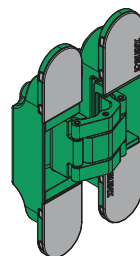
Concealed hinges Complete range up to 200kg doors



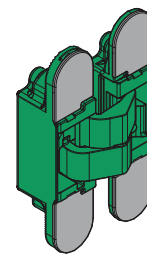
ATOMIKA



KUBICA



KuBi7



KOMBI



KOBLENZ CERTIFICATION . . .

Why asking for a certified product?

Because a certified product is an excellence! Certification means testing the products according to the severe tests at international labs, and after passing the tests the product will obtain the certification which attests its entire correspondence to the best performing parameters.



Fire Certification:

It's essential for the fulfillment of all the projects or installation in the environment and buildings, above all in the public ones, where the specific safety standards must be applied. Actually, it is not possible to participate in tenders if the products lack the certification.



What does CE marking mean?

It is not a mark of "quality" or of "origin", hence it does not mean "Made in Europe". CE marking indicates that a manufacturer of a specific product has officially declared the performance related to the essential safety features required by the standards indicated in the construction products regulation (CPR). In particular, it's about the mechanical resistance, dimensional and colour stability, fire-resistance, environmental hygiene and health, as well as application safety and corrosion resistance.

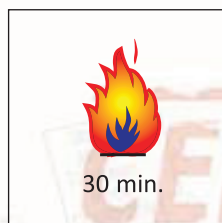
It is not enough to say "my hinge is certified"

A lot of individual state that they have various certificates. Please pay attention: there is much difference between real certification and teh presumed ones! In order to apply and to keep the CE marking on our hinges a performance regularity attention is required which consists in the audit of our production plants twice a year and in repeated tests of each production batch.

Which certification are recognized?

If you are looking for a concealed hinge, you expect to receive a product in compliance with EAD 020001-01-0405, because it is the only testing procedure valid for the concealed hinges! Actually EN1935 requirement does not meatch exactly this door hinges types, but it only refers to one-axis hinges which absolutely differ from the multi-axis hinges.

The certifications obtained by Koblenz Hinges:



Hinges

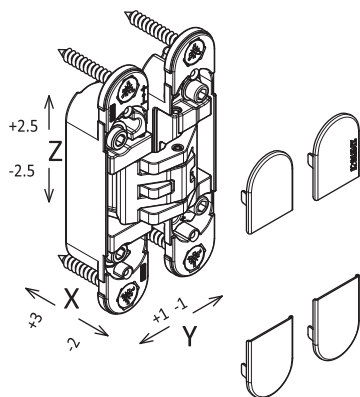
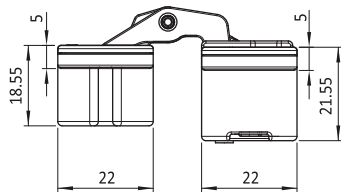
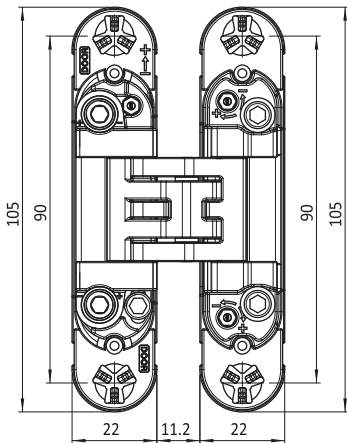
KOBLENZ Concealed Hinges

Fortress Land Door Hardware

KUBICA KUBICENTER K6400

Hinge with patented self-adjusting screw system

Patented



<p>Version</p> <p>ZAMAK</p>	<p>Finishing</p>	<p>min. 30 mm</p>	<p>30kg (2 hinges) 45kg (3 Hinges)</p>
-----------------------------	------------------	-------------------	--

<p>COVER</p>	<p>Adjustments</p>	<p>180°</p>	<p>Recommended also for furniture</p> <p>min. 30 mm</p>
--------------	--------------------	-------------	---

Kubi Center Feature

Fixing screws are NOT included

- Satin Chrome
- Satin Nickel
- Satin Gold
- Imperial Bronze

Ordering Information:

Code	Description
K6400CS	K6400 Concealed Hinges - satin chrome
K6400NS	K6400 Concealed hinges - satin nickel
K6400OS	K6400 Concealed Hinges - satin gold
K6400IBU	K6400 Concealed hinges - imperial bronze

Note: each item includes one hinge, covers & fixing screws.

Tested on doors: thickness 30mm - height max.2100mm - width max 900mm. For the larger dimension than those indicated and additional accessories application, please ask Fortress Land for feasibility.

Hinges

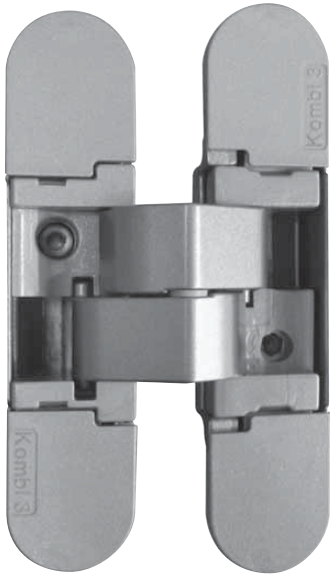
KOBLENZ Concealed Hinges

Fortress Land Door Hardware

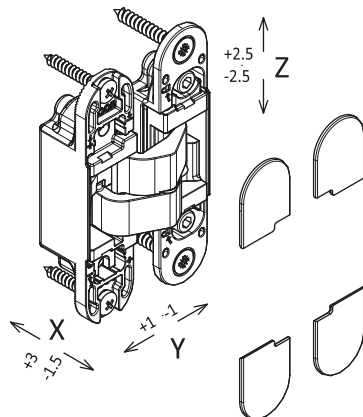
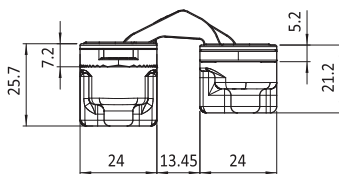
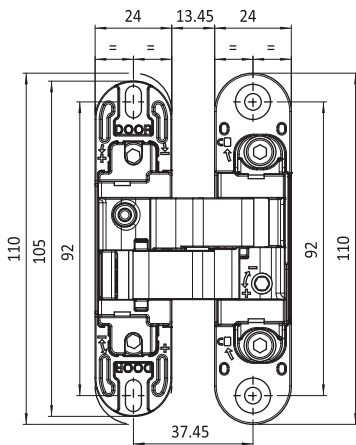
KOMBI 3 - K1000

3 axis adjustable hinge 5 fulcrums

Patented



<p>Version</p> <p>ZAMAK</p>	<p>Finishing</p>	<p>min. 35 mm</p>	<p>180°</p>
<p>40kg (2 hinges) 52kg (3 hinges)</p>	<p>COVER</p>	<p>Adjustments</p>	<p>Fixing screws are NOT included</p>



Ordering Information:

Code	Description
K1000CS	K1000 Concealed Hinges - satin chrome
K1000NS	K1000 Concealed hinges - satin nickel
K1000BI	K1000 Concealed Hinges - white
K1000OS	K1000 Concealed hinges - satin gold

Note: each item includes one hinge and covers.

- Satin chrome
- Satin nickel
- Satin gold
- White

Tested on doors: thickness 35mm - height max.2100mm - width max 900mm. For the larger dimension than those indicated and additional accessories application, please ask Fortress Land for feasibility.

Hinges

KOBLENZ Concealed Hinges

Fortress Land Door Hardware

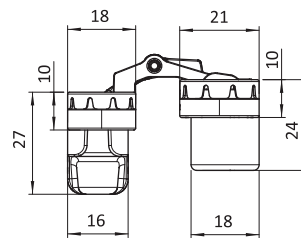
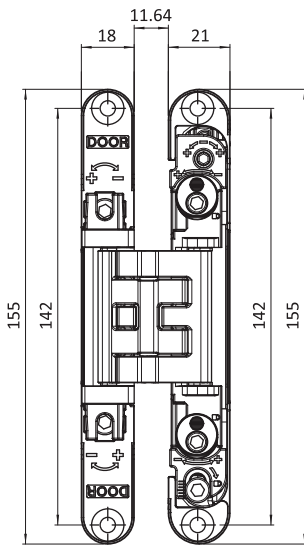
KUBICA K2400

3 axis adjustable hinge 5 fulcrums

Patented



<p>Version</p> <p>ZAMAK</p>	<p>Finishing</p>	<p>min. 25 mm</p>	<p>Adjustments</p>
<p>180°</p>	<p>40 kg (2 hinges) 52 kg (3 hinges)</p>	<p>COVER</p>	<p>Recommended also for furniture</p> <p>min. 30 mm</p>
<p>Fixing screws</p>	<p>30 min.</p>		



Satin Chrome
 Satin Nickel

Ordering information:

Code	Description
K2400 CS DXSX	K2400 closing concealed hinge - satin chrome
K2400 NS DXSX	K2400 closing concealed hinge - satin nickel

Note: each item includes one hinge, covers & fixing screws.

Optional accessories:

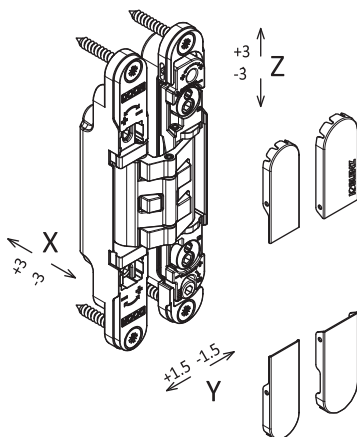
<p>Art. K 240 TASCA Hinge receiver K2400</p>	<p>Art. K 240 STAFFA Fixing plate for K2400</p>	<p>Art. K 240 STAFFA R Fixing plate with screws for integrated adjustment</p>
--	---	---

For metal door

Frame support For non-solid frame

Art. K 240 STAFFA RV
Fixing plate with screws for integrated adjustment + receiver

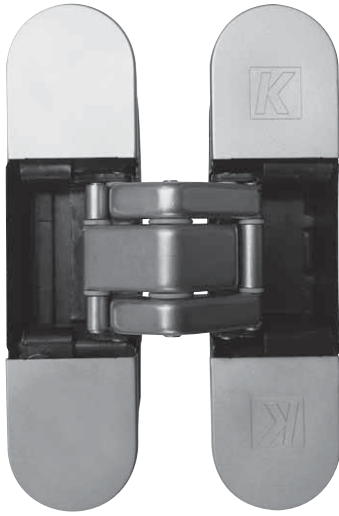
Tested on doors: thickness 25mm - height max.2100mm - width max. 900mm. For the larger dimension than those indicated and additional accessories application, please ask Fortress Land for feasibility.



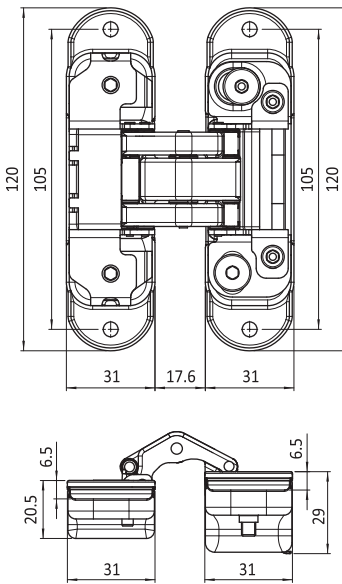
ATOMIKA K8000

3 axis adjustable hinge 7 fulcrums

Patented



<p>Version</p> <p>STEEL</p>	<p>Finishing</p>	<p>Hinge centered on the door leaf</p> <p>min. 38 mm max 45 mm</p>	<p>Adjustments</p>
<p>60 kg (2 Hinges)</p>	<p>COVER</p>	<p>Hinge non-centered on the door leaf</p> <p>≥ 38 mm</p>	<p>180°</p>
			<p>Fixing screws included</p>



Ordering Information:

Code	Description
K8000CL	K8000 Concealed Hinges - Polish Chrome
K8000CS	K8000 Concealed hinges - Satin Chrome
K8000NS	K8000 Concealed Hinges - Satin Nickel
K8000OL	K8000 Concealed hinges - Polished gold
K8000BR	K8000 concealed hinges - bronze
K8000BS	K8000 concealed hinges - brushed bronze
K8000OTL	K8000 concealed hinges - Polished brass
K8000OTS	K8000 concealed hinge - satin brass
K800BI	K8000 concealed hinges - white
K8000NO	K8000 concealed hinges - black

Note: each item includes one hinge, covers & fixing screws.

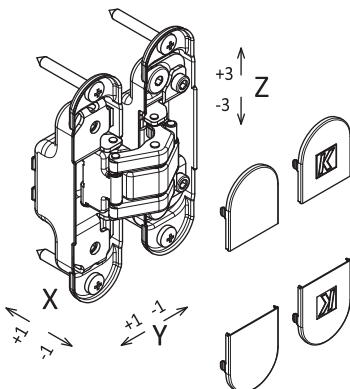
- Polish Chrome
- Satin Chrome
- Satin Nickel
- Polished gold
- Bronze
- Brushed bronze
- Polished brass
- Satin brass
- White
- Black

Optional Accessories:

<p>Art. K 800 TASCA Hinge receiver K8000</p>	<p>Art. K 800 STAFFA Fixing plate for K8000</p>
--	---

For metal door

Frame support For non-solid frame



Tested on doors: thickness 38-45mm - height max.2100mm - width max 900mm. For the larger dimension than those indicated and additional accessories application, please ask Fortress Land for feasibility.

Hinges

KOBLENZ Concealed Hinges

Fortress Land Door Hardware

ATOMIKA SLIM K8060

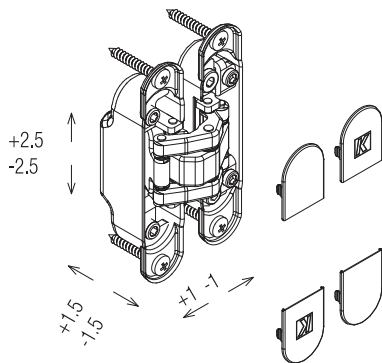
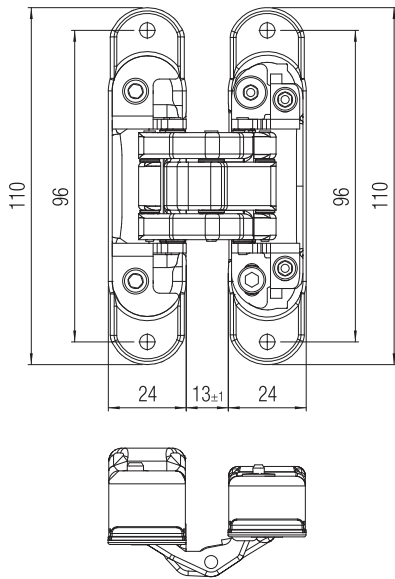
3 axis adjustable hinge 7 fulcrums

Patented



<p>Version</p> <p>STEEL</p>	<p>Finishing</p>	<p>min. 32 mm</p>	<p>60 kg (2 Hinges)</p>
<p>COVER</p>	<p>Adjustments</p>	<p>180°</p>	<p>Fixing screws</p>

- | | | | | | |
|--|---------------|--|----------------|--|-------------|
| | Polish Chrome | | Bronze | | Satin brass |
| | Satin Chrome | | Brushed bronze | | White |
| | Satin Nickel | | Polished brass | | Black |
| | Polished gold | | | | |



Ordering Information:

Code	Description
K8000CL	K8000 Concealed Hinges - Polish Chrome
K8000CS HD	K8000 Concealed hinges - Satin Chrome
K8000NS HD	K8000 Concealed Hinges - Satin Nickel
K8000OL	K8000 Concealed hinges - Polished gold
K8000BR HD	K8000 concealed hinges - bronze
K8000BS HD	K8000 concealed hinges - brushed bronze
K8000OTL	K8000 concealed hinges - Polished brass
K8000OTS	K8000 concealed hinge - satin brass
K800BI HD	K8000 concealed hinges - white
K8000NO HD	K8000 concealed hinges - black

Note: each item includes one hinge, covers & fixing

Optional Accessories:

<p>Art. K 806 TASCA Hinge receiver K8060</p> <p>For metal door</p>	<p>Art. K 806 STAFFA Bracket for fixing K8060</p> <p>Frame support For non-solid frame</p>
--	--

Tested on doors: thickness 32mm - height max.2100mm - width max 900mm.
For the larger dimension than those indicated and additional accessories application, please ask Fortress Land for feasibility.

Hinges

KOBLENZ Concealed Hinges

Fortress Land Door Hardware

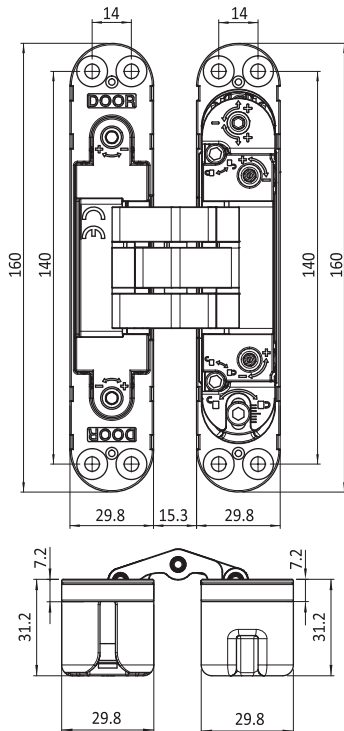
KUBI7 K7080

3 axis adjustable hinge 7 fulcrums

Patented



<p>Version</p> <p>ZAMAK</p>	<p>Finishing</p>	<p>min. 40 mm</p>	<p>Adjustments</p>
<p>80 kg (2 hinges) 100 kg (3 hinges)</p>	<p>COVER</p>	<p>180°</p>	<p>Fixing screws</p>
	<p>30 min.</p>	<p>DOOR HINGE R27182</p>	<p>HINGES R27182</p>



- Polish Chrome
- Steel effect
- Imperial bronze
- Satin Chrome
- Polished gold
- Satin Nickel
- White

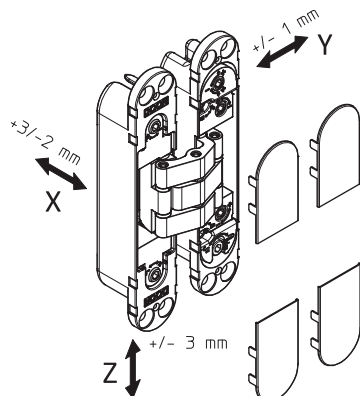
Ordering Information:

Code	Description
K7080BI DXSX	K7080 Concealed hinges - white
K7080CL DXSX	K7080 Concealed hinges - polished chrome
K7080CS DXSX	K7080 Concealed hinges - satin chrome
K7080EA DXSX	K7080 Concealed hinges - steel effect
K7080NS DXSX	K7080 Concealed hinges - satin nickel
K7080OR DXSX	K7080 Concealed hinges - polished gold
K7080IBU	K7080 Concealed hinges - imperial bronze

Note: each item includes one hinge, covers & fixing screws.

Optional Accessories:

<p>Art. K 708 TASCA Hinge receiver K7080</p> <p>For metal door</p>	<p>Art. K 708 STAFFA Fixing plate for K7080</p> <p>Frame support For non-solid frame</p>
--	--



Tested on doors: thickness 40mm - height max.2100mm - width max 900mm. For the larger dimension than those indicated and additional accessories application, please ask Fortress Land for feasibility.

Hinges

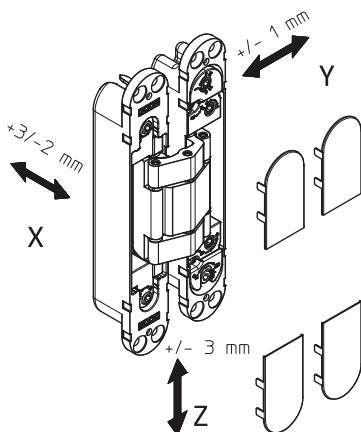
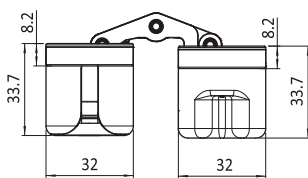
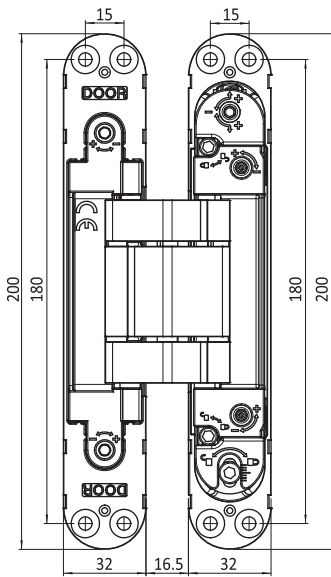
KOBLENZ Concealed Hinges

Fortress Land Door Hardware

KUBI7 K7120

3 axis adjustable hinge 7 fulcrums

Patented

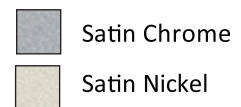


<p>Version</p> <p>ZAMAK</p>	<p>Finishing</p>	<p>min. 40 mm</p>	<p>Adjustments</p>
<p>120 kg (2 hinges) 140 kg (3 hinges)</p>	<p>COVER</p>	<p>180°</p>	<p>HINGES R27182</p>
	<p>30 min.</p>	<p>DOOR HINGE R27182</p>	<p>Fixing screws</p>

Ordering information:

Code	Description
K7120 CS DXSX	K7120 concealed hinge - satin chrome
K7120 EA DXSX	K7120 concealed hinge - steel effect
K7120 NS DXSX	K7120 concealed hinge - satin nickel

Note: each item includes one hinge, covers & fixing



Optional accessories:

<p>Art. K 712 TASCA Hinge receiver K7120</p>	<p>Art. K 712 STAFFA Fixing plate for K7120</p>
--	---

For metal door

Frame support For non-solid frame

Tested on doors: thickness 40 - height max.2100mm - width max 900mm.
For the larger dimension than those indicated and additional accessories application, please ask Fortress Land for feasibility.

Hinges

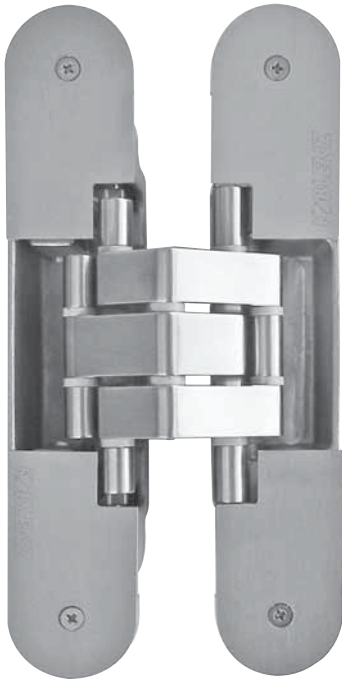
KOBLENZ Concealed Hinges


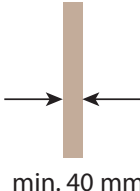
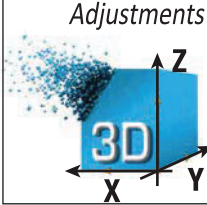



Fortress Land Door Hardware

KINOX - K7316

3 axis adjustable hinge 7 fulcrums

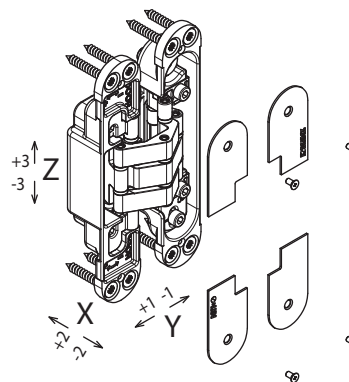
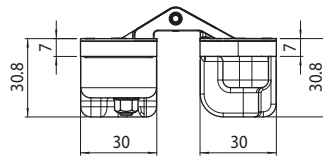
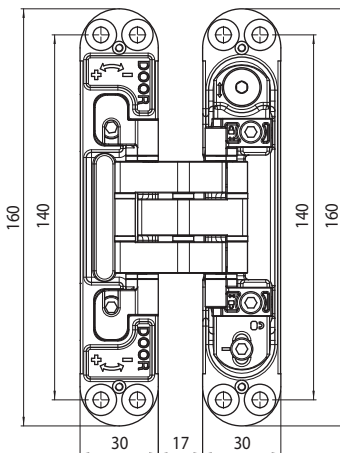
Patented



<p><i>Version</i></p> <p>STAINLESS STEEL AISI 316</p>	<p><i>Finishing</i></p> 	 <p>min. 40 mm</p>	<p><i>Adjustments</i></p> 
 <p>120 kg (2 hinges) 140 kg (3 hinges)</p>	 <p>180°</p>	 <p><i>Fixing screws</i></p>	

Ordering Information:

Code	Description
K7316AS	K1000 Concealed Hinges - satin steel
Note: each item includes one hinge & fixing screws.	



Tested on doors: thickness 40mm - height max.2100mm - width max 900mm. For the larger dimension than those indicated and additional accessories application, please ask Fortress Land for feasibility.

Hinges

KOBLENZ Concealed Hinges

Fortress Land Door Hardware

KUBI7 K7200

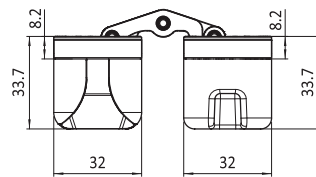
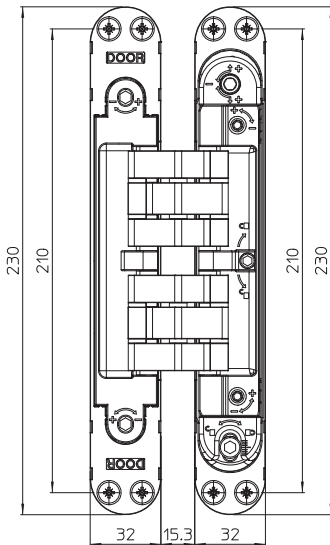
3 axis adjustable hinge 7 fulcrums

Patented



<p>Version</p> <p>ZAMAK</p>	<p>Finishing</p>	<p>min. 40 mm</p>	<p>Adjustments</p>
<p>200 kg (2 hinges)</p>	<p>COVER</p>	<p>180°</p>	<p>Fixing screws</p>

- Satin Chrome
- Satin Nickel



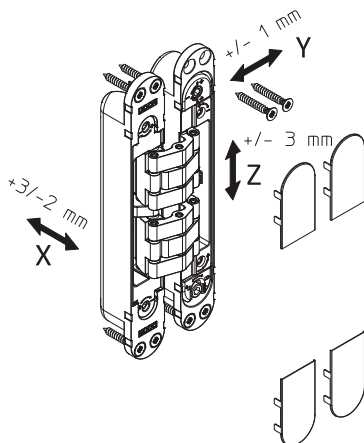
Ordering information:

Code	Description
K7200 CS DXSX	K7200 concealed hinge - satin chrome
K7200 NS DXSX	K7200 concealed hinge - satin nickel

Note: each item includes one hinge, covers & fixing screws.

Optional Accessories:

<p>Art. K 720 TASCA Hinge receiver K7200</p> <p>For metal door</p>	<p>Art. K 720 STAFFA Fixing plate for K7200</p> <p>Frame support For non-solid frame</p>
--	--



Tested on doors: thickness 40 - height max.2100mm - width max 900mm.
For the larger dimension than those indicated and additional accessories application, please ask Fortress Land for feasibility.

Hinges

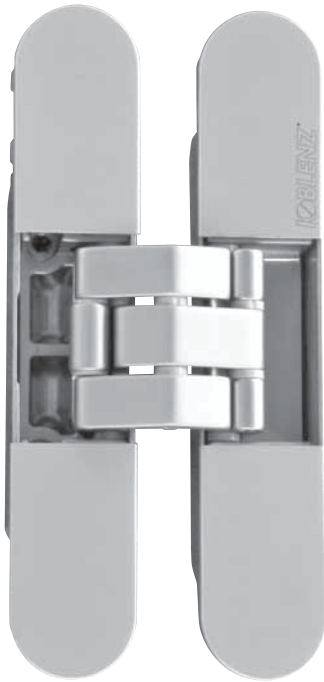
KOBLENZ Concealed Hinges

Fortress Land Door Hardware

KUBI7 KUBICA TWIST - K2000

Hinge with integrated self-closing system

Patented



Version

ZAMA

Finishing

min. 40 mm

Adjustments

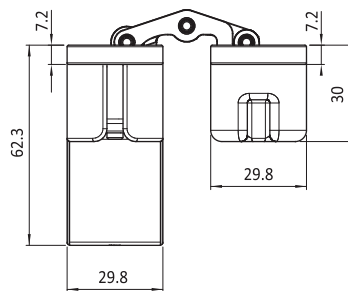
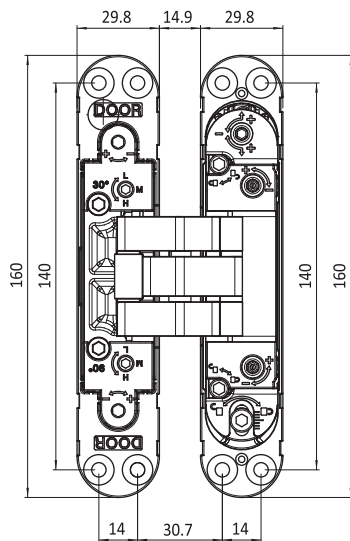
180°

60 kg (2 Hinges)

COVER

Adjustments
Self-closing speed

Fixing screws



- Satin Chrome
- Satin Nickel

Ordering Information:

Code	Description
K2000 CS DXSX	K2000 self closing concealed hinge - satin chrome
K2000 NS DXSX	K2000 self closing concealed hinge - satin nickel

Note: each item includes one hinge, covers & fixing screws.

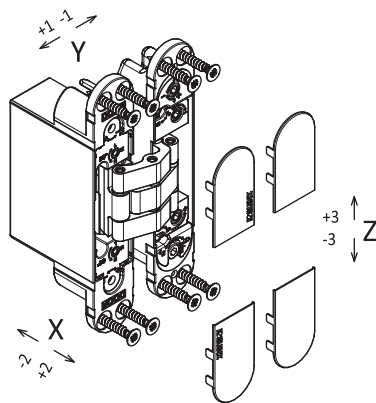
Optional Accessories:

Art. K 708 TASCA
Hinge receiver K2000

For metal door

Art. K 708 STAFFA
Fixing plate for K2000

Frame support For non-solid frame



Tested on doors: thickness 40mm - height max.2100mm - width max 900mm.
For the larger dimension than those indicated and additional accessories application, please ask Fortress Land for feasibility.