

HINGES



Hinges

Stainless Steel Butt Hinge 304 and 316

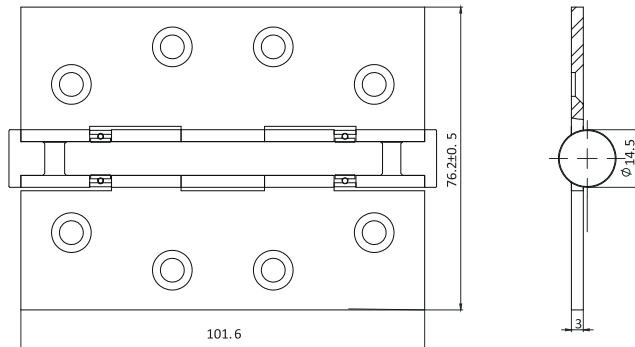
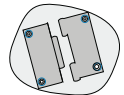
- Stainless steel hinge with two ball bearings for fire break doors
- Extremely corrosion resistance, Grade 4.
- Reversible
- CE Certified according to En1935:2002

Packing includes:

- 1 pair of hinges
- 16 phillips wood screws



FIRE TESTED



Product code	Finishes	Dimensions
BISCFCE433IS16	IS16	102x76x3 mm
BISCFCE443IS16	IS16	102x102x3 mm

Product code	Finishes	Dimensions
BISCFCEM433IS*	IS304	102x76x3 mm
BISCFCEM443IS*	IS304	102x102x3 mm

*Included MT screws

