

SLIDING DOOR LOCKS

MADE OF ITALY

AGB

PATENTED

The door closes, always!

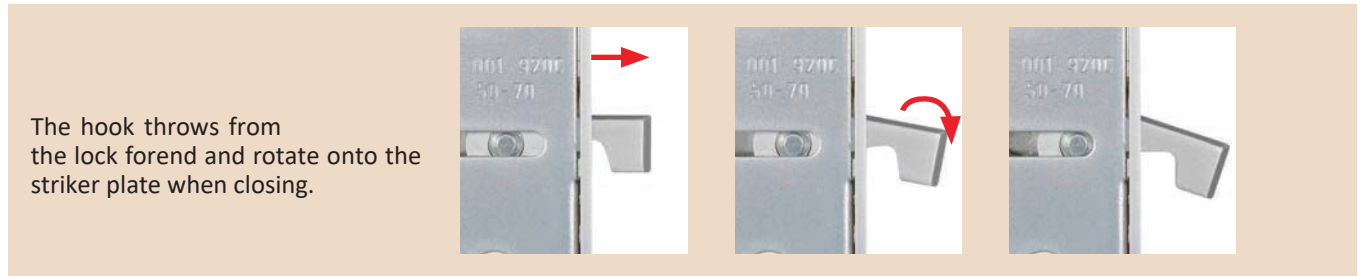
Easy to install, wide tolerances
between hook and striker allow
perfect closure, in any case.



Introducing Scivola T & Scivola Tre Locks for sliding doors

Closes, always...

The special movement of the hook and the considerable coupling tolerance with the stiker, make the door always close, even facing vertical settlements after the installation.



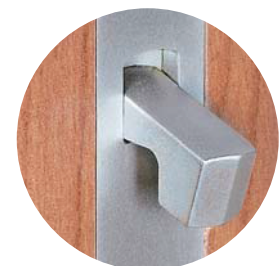
... and precisely!

Scivola T and Scivola Tre transmit a pleasant sensation of smoothness by moving the handle and the key, thanks to a great precision in the mechanical coupling and the smooth internal kinematics.

Fast and accurate installation

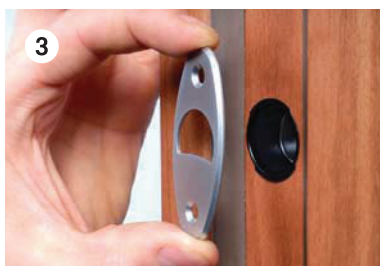


After the installation of the lock and the throw of the hook, by softly pushing the door against the jamb it is possible to centre the striker.

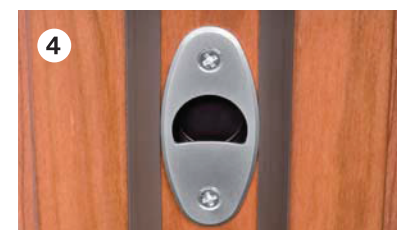


The striker installation has never been so simple: it just takes a milling of \varnothing 25 mm and a drill. Jigs are not required.

The patented head of the hook distinguishes for being sharpened. It works as a jig, marking the centre of the milling on the jamb for the striker housing.



Thanks to the special shape, the covering tray is simply and precisely positioned onto the milling.



In less than 1 minute it is possible to mount the striker reaching a valuable aesthetic result.

Introducing Scivola T & Scivola Tre Locks for sliding doors



The Elegance of Made in Italy Handles

Wide range of kits including Scivola locks with round, oval and the new square handles.



Knurled surface for a better grip on the wood (without plastic base plates).



Easy and functional handgrip.

Screw for mounting the patented expanding spindle.

Expanding spindle suitable for doors 30 to 48 mm thick.

Standard Finishes:



Other available finishes:



Mortise lock for sliding doors

Scivola Tre round with Privacy Kit



Description

Lock kit with hook and steel and flush pull with thumb turn, without key. Notched locking cam on the outside for emergency opening. All the elements have been designed to eliminate any superfluous projections.

Application

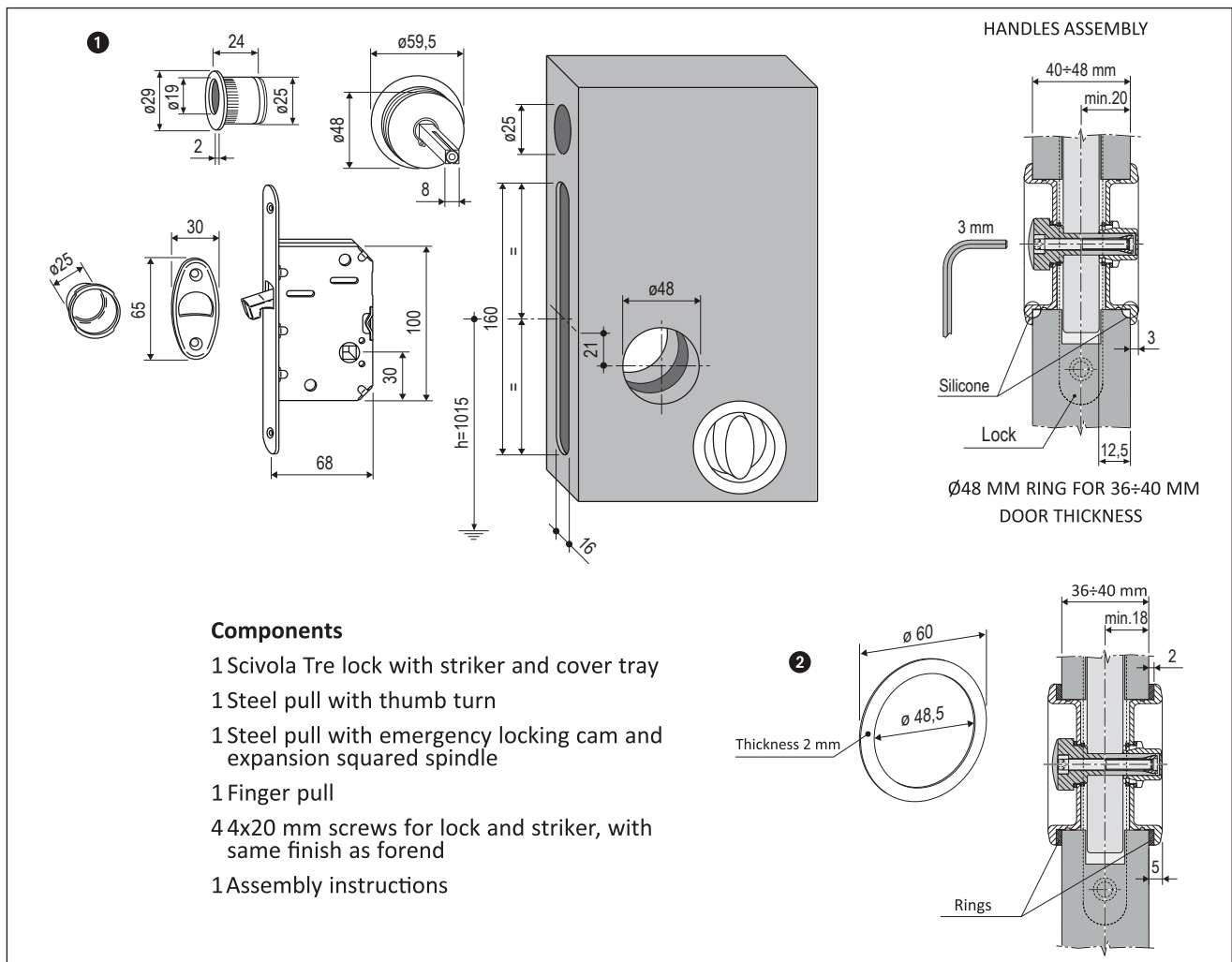
For concealed, sliding timber doors on bathrooms or any room where the door is closed from on side only and does not require a key to lock it. Suitable for panes with a thickness of 40-80mm.

Mounting

The pulls are directly secured by expansion squared spindle, automatically adapting to 40-80mm doors, without any additional screw or plastic striker plate. Follow the assembly instruction provided with the kit.

Note:

All the kit components come in a single package.



Components

- 1 Scivola Tre lock with striker and cover tray
- 1 Steel pull with thumb turn
- 1 Steel pull with emergency locking cam and expansion squared spindle
- 1 Finger pull
- 4 4x20 mm screws for lock and striker, with same finish as forend
- 1 Assembly instructions



Order Specifications

Scivola Tre Round with Privacy Kit for 40 - 48mm thickness doors

Model Description	Forend (mm)	Material	Backset	Finish	Item Code
ScivolaTre - Privacy Kit	16x160	Steel	50mm	Matt chromium plate	B04934.50.34
ScivolaTre - Privacy Kit	16x160	Steel	50mm	Enamelled brass plated	B04903.50.03

Note: For doors smaller than 40mm, please put ring adapter