

### Automation System for Curtain - Glydea



A quiet and smart motorized track for all curtain types and shapes.



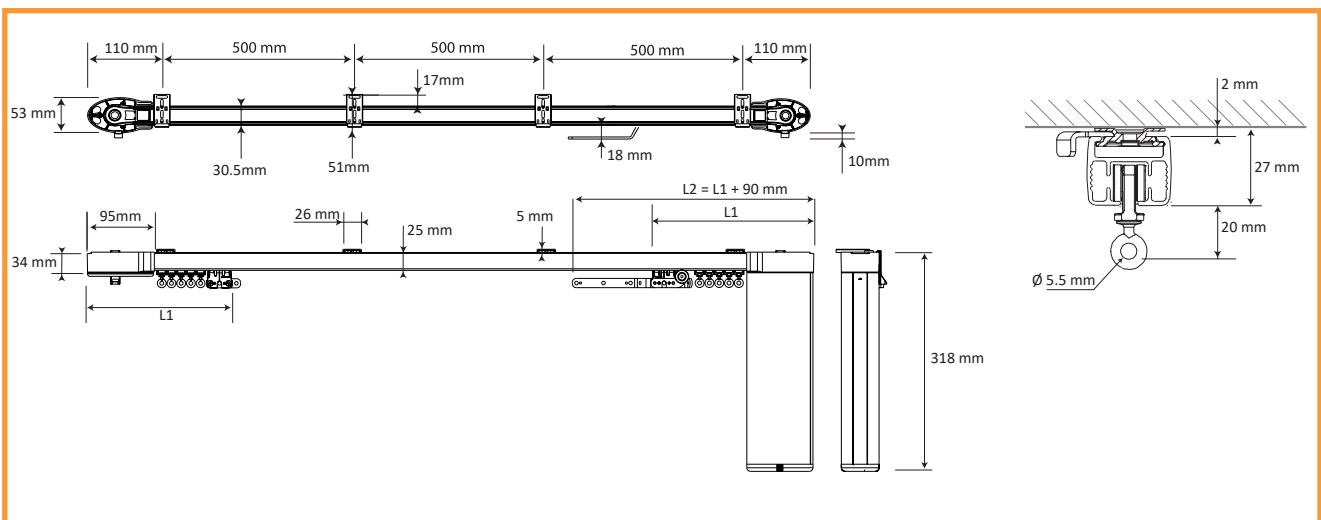
#### Main characteristics

- Ultra quiet operation at 44db
- A large range of solution with only one rail, two types of motors (Glydea 35 and 60) and several control modules
- High flexibility to adapt to different types of curtains;
  - Rail up to 12m long
  - Bending radius from 300mm
  - Curtain weight up to 60kg
  - Large choice of rail shapes
  - Plug-in modules to interface with other systems
  - Large range of accessories
- Easy installation from plug and play to more advanced solutions
- Motors can be hidden from plug and play to more advanced solutions
- Motor can be also hidden in false ceilings (top mount kit)
- Touch Motion feature to open and close the curtain simply by pulling on the fabric
- Adjustable speed
- Manual operation possible in case of power failure
- Nominal voltage 90V to 250V 50/60Hz
- Degree of protection: IP20, Operating Temperature: 0-60°C

#### Certifications



#### Applications



Please contact Fortress Land for more details.